

# PORTABLE FAN OF THE ONISHI

Portable Fan Series



# Improved, high-performance

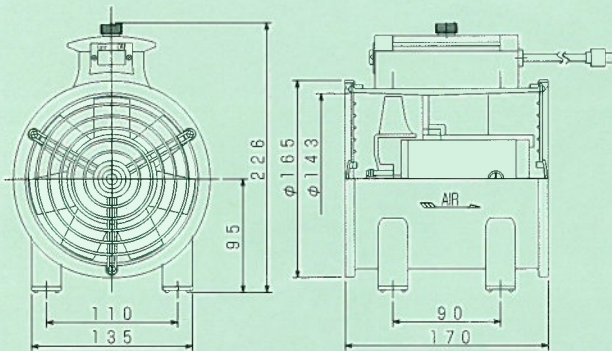


## WB-II Worker Bee II $\phi$ 150 2kg

- Speed controller to select the required airflow
- Lightweight and powerful
- Commutator motor provides high airflow and wind pressure with low energy consumption
- The fan blades and casing are constructed of synthetic resin
- Thermostat installed on the motor
- One set of spare carbon brushes included
- Three-meter power cord with plug

### [Optional]

- Spiral duct (Fire resistant)
- Dust collector attachments



## HB Hard Baby $\phi$ 200 8kg

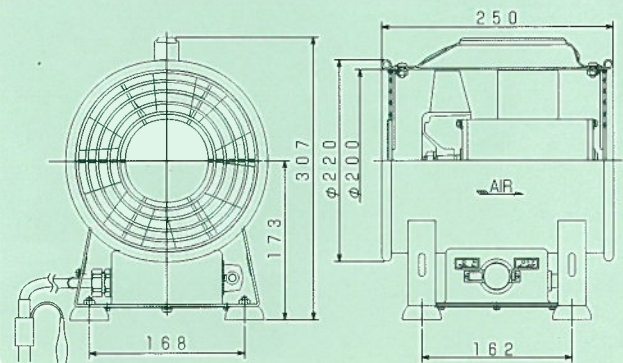
- Lightweight model that can be used for ventilation/air blowing in confined areas such as manholes or tanks
- Built-in motor breaker ● Three-meter power cord

## HB-SC Speed Controller Baby $\phi$ 200 8kg

- Speed controller to select the required airflow

### [Optional]

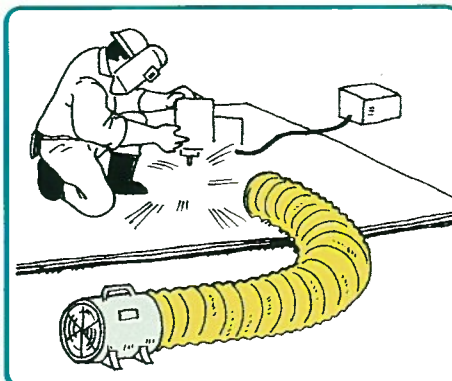
- Spiral duct (Fire resistant)
- Dust collector attachments



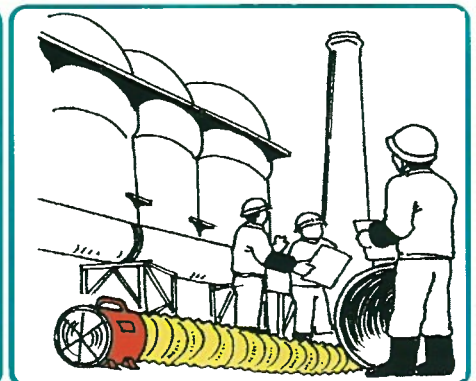
## Example of Use



Oxygen deficiency prevention / Gas poisoning prevention / Ventilation/air blowing in manholes



Welding fumes exhaust



Ventilation for dangerous locations

# portable fans. Select from

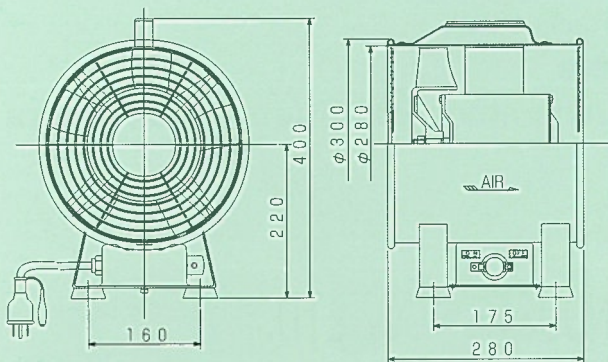


## WM-TD Win Mama $\phi$ 300 15kg

- This leading edge fan is sturdy and long-lived, earning it high marks for reliability from the equipment leasing sector.
- Use this fan for various functions including exhausting welding fumes, poisonous gas, and dust, as well as air blowing for workers in high temperature and underground locations.
- Built-in motor breaker
- Three-meter power cord with 2-pin/3-pin variable plug.(100V only)

## WM-SC Speed Controller Mama $\phi$ 300 15kg

- Speed controller to select the required airflow [Optional]
- Spiral duct (Fire resistant)
- Dust collector attachments

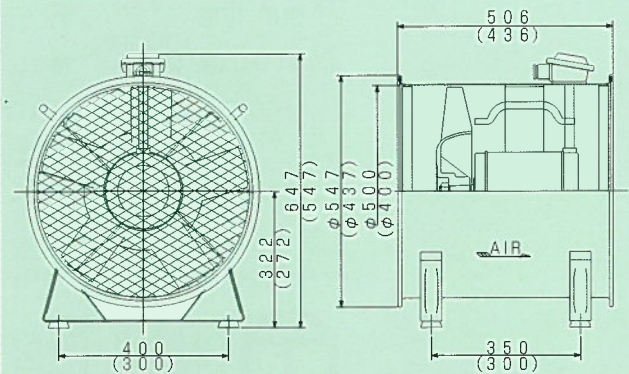


## WA 2-2 Win Ace 2.2 $\phi$ 400 34kg WA 2-5 Win Ace 2.5 $\phi$ 500 55kg

- Provides ventilation/air blowing for areas where high airflow and wind pressure is required such as tank/tunnel and underground work, and can also be used as a cooling fan in iron works.
- Terminal box

### [Optional]

- Spiral duct (Fire resistant)
- Overload earth leakage breaker switch
- Power cord

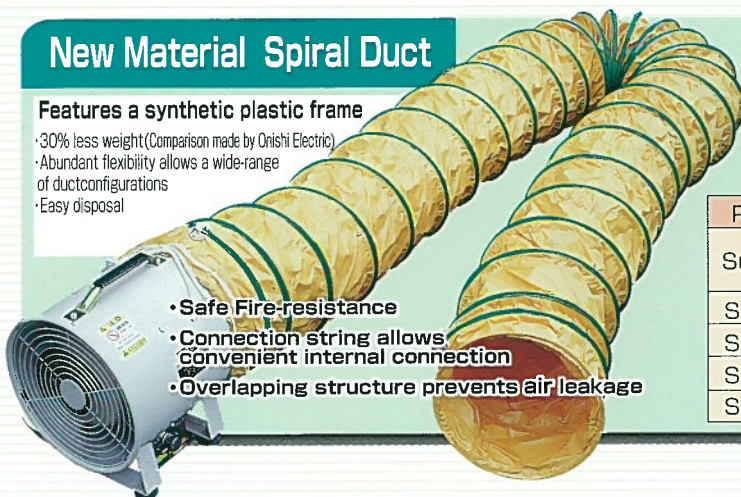


※ ( ) are dimensions for WA2-2

## New Material Spiral Duct

### Features a synthetic plastic frame

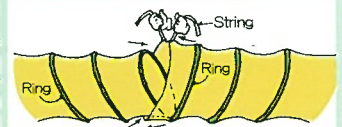
- 30% less weight (Comparison made by Onishi Electric)
- Abundant flexibility allows a wide-range of duct configurations
- Easy disposal



- Safe Fire-resistance
- Connection string allows convenient internal connection
- Overlapping structure prevents air leakage

### ※ Duct Connection Procedures

When connecting two duct sections, slightly bend the ring at the end of one section into an oval shape, and push under the end ring of the other section. Pull the ring back to the original shape and lightly tie up the string at the end of the duct section.



Product name	Model	Internal Diameter x Length	Specs
Super Ducty160	SD-160	$\phi$ 160mm x 3m $\phi$ 160mm x 5m	Covering: Nylon tarpaulin (Fire resistant) Frame: High rigidity synthetic plastic
Super Ducty200	SD-200	$\phi$ 200mm x 5m	
Super Ducty300	SD-300	$\phi$ 300mm x 5m	
Super Ducty400	SD-400	$\phi$ 400mm x 5m	
Super Ducty500	SD-500	$\phi$ 500mm x 5m	

# our ample variety of fans

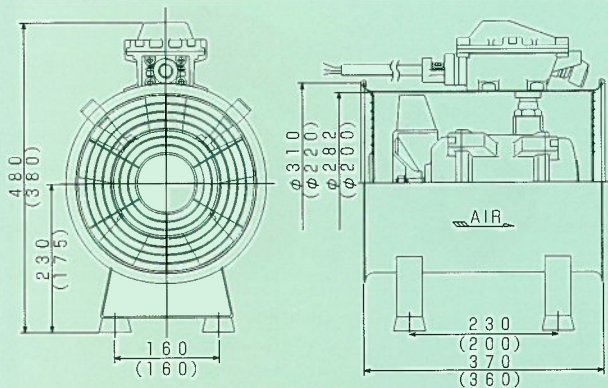


## BB-B Explosion-Proof Baby $\phi$ 200 13kg BM-B Explosion-Proof Mama $\phi$ 300 20kg

- Suitable for either Type 1 or Type 2 dangerous locations such as chemical or paint factories, or storage facilities.
- Explosion-resistance switch
- Five-meter power cord (plug not included)

[ Optional ]

- Explosion-resistant spiral duct (with ground)



※ ( ) are dimensions for BB-B



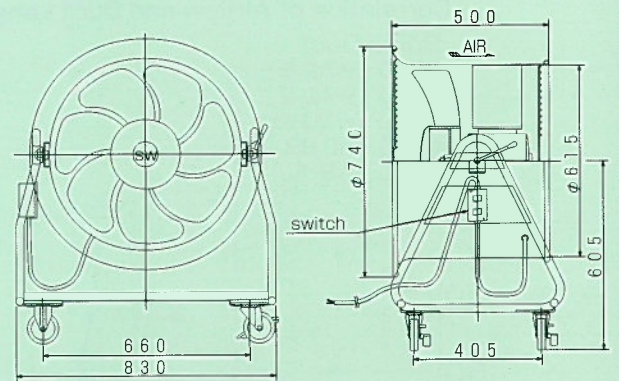
## SW-150 Super Win $\phi$ 600 67kg

- Ventilation/Air blowing for areas where high airflow and low noise are required such as general work sites as well as tunnel and underground work sites. Can also be used for cooling of high-temperature materials.

Specs

- Airflow: 320 m<sup>2</sup>/min. Noise: 77 dB (A)
- Motor: 1.5kW×4P AC200V·3 $\phi$ ×50/60HZ
- Overload cutoff switch
- 10-meter power cord
- Direct ventilation with no duct required and long-range ventilation

[Optional] : Inverter (Airflow adjustment)



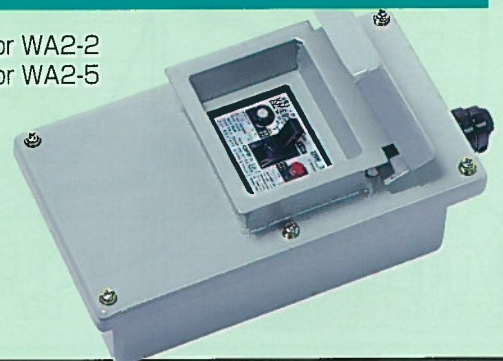
## ■ Dust Collector Attachment



- $\phi$ 160 For WB-II
- $\phi$ 200 For HB and HB-SC
- $\phi$ 300 For WM and WM-SC
- $\phi$ 400 For WA2-2

## ■ Overload Earth Leakage Breaker Switch

For WA2-2  
For WA2-5



## ■ Specs

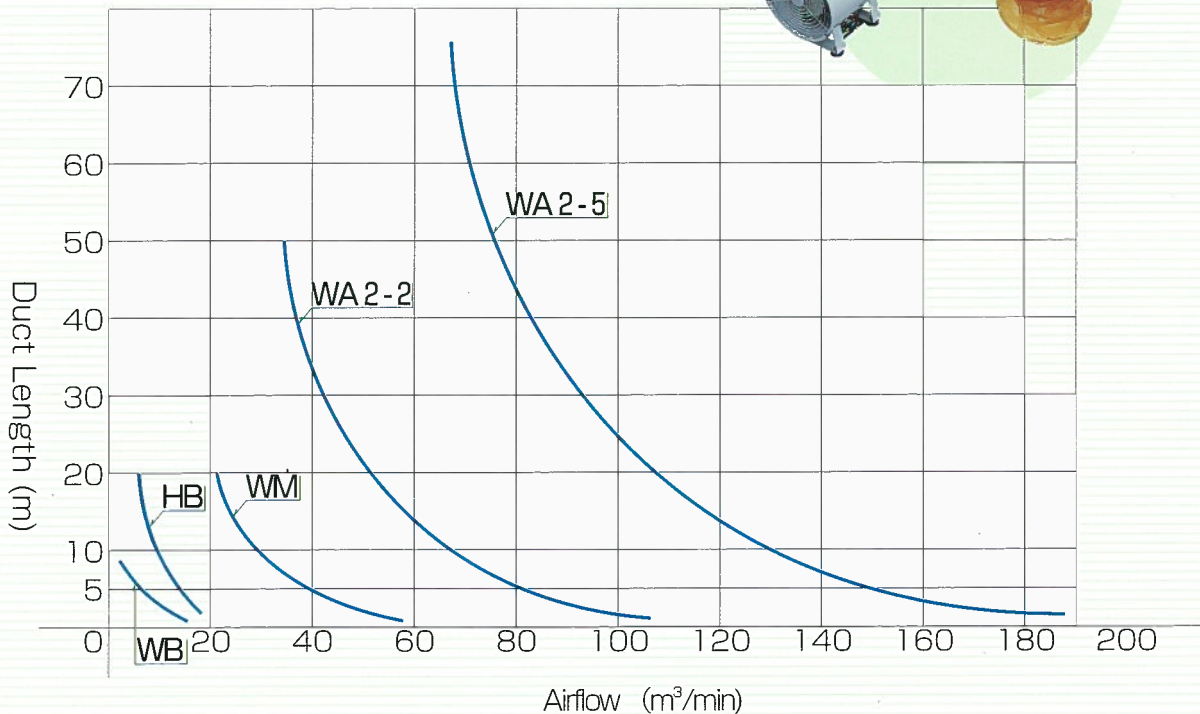
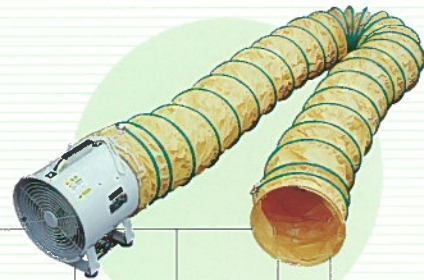
Product Name	Model	Airflow	Wind pressure (Full pressure)	Voltage	Rotation Speed	Output	Unit Weight
Worker Bee II $\phi$ 150	WB-II	16~5m <sup>3</sup> /min	150~50Pa	100V×1 $\phi$	7000~2000 min <sup>-1</sup>	MAX81/74W <small>(Electric power consumption)</small>	2kg
Hard Baby $\phi$ 200	HB	20m <sup>3</sup> /min	80Pa	100V×1 $\phi$ 200V×1 $\phi$ 230V×1 $\phi$	3000/3600 min <sup>-1</sup>	140/155W <small>(Electric power consumption)</small>	8kg
Speed Controller Baby $\phi$ 200	HB-SC	20~5m <sup>3</sup> /min	80~10Pa	100V×1 $\phi$	3600~1200 min <sup>-1</sup>	MAX155W <small>(Electric power consumption)</small>	8kg
Win Mama $\phi$ 300	WM-TD	70m <sup>3</sup> /min	300Pa	100V×1 $\phi$ 200V×1 $\phi$ 230V×3 $\phi$ 200V×3 $\phi$ 230V×3 $\phi$	3000/3600 min <sup>-1</sup>	550W	15kg
Speed Controller Mama $\phi$ 300	WM-SC	70~20m <sup>3</sup> /min	300~50Pa	100V×1 $\phi$ 200V×1 $\phi$ 230V×1 $\phi$	3000~1000 3600~1200 min <sup>-1</sup>	MAX550W	15kg
Win Ace $\phi$ 400	WA2-2	110m <sup>3</sup> /min	300Pa	200V×3 $\phi$ 230V×3 $\phi$	3000/3600 min <sup>-1</sup>	1.5kW	34kg
Win Ace $\phi$ 500	WA2-5	190m <sup>3</sup> /min	300Pa	200V×3 $\phi$ 230V×3 $\phi$	3000/3600 min <sup>-1</sup>	3.7kW	55kg
Explosion-Proof Baby $\phi$ 200	BB-B	20m <sup>3</sup> /min	80Pa	100V×1 $\phi$ 200V×1 $\phi$ 230V×1 $\phi$	3000/3600 min <sup>-1</sup>	0.18kW	13kg
Explosion-Proof Mama $\phi$ 300	BM-B	70m <sup>3</sup> /min	300Pa	100V×1 $\phi$ 200V×1 $\phi$ 230V×1 $\phi$	3000/3600 min <sup>-1</sup>	0.55kW	20kg
Super Win $\phi$ 600	SW-150	320m <sup>3</sup> /min	—	200V×3 $\phi$ 230V×3 $\phi$	1500/1800 min <sup>-1</sup>	1.5kW	67kg

※Please consult Onishi Electric for special power sources

## ■ Example of Spiral Duct Use

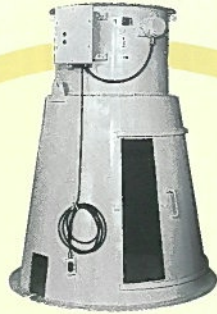
Correlation of Airflow and Duct Length

Spiral Duct  
 $\phi$ 500 WA2-5  
 $\phi$ 400 WA2-2  
 $\phi$ 300 WM, BM  
 $\phi$ 200 HB, BB  
 $\phi$ 160 WB-II

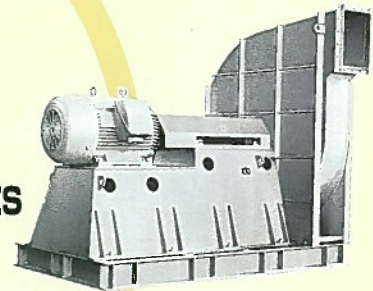




Movable Axial Fan



Mounted Fan



Centrifugal Fan



Mushroom-capped Axial Fan

## Introducing our other products

Introducing  
our line of  
products

### **Blowers** (Axial, Centrifugal and Explosion-proof models)

We provide products for a wide-range of customer needs. Including ships, automobiles, aircraft, construction sites, factories and many others.

### **Control Panels**

### **Lightweight Generators Wind Turbine Generators**

• A Pioneer in Environmental Health

# ONISHI ELECTRIC INDUSTRY CO., LTD.



Main Factory : 2-21-41 Dejima, Minami-Ku, Hiroshima  
Tokyo Business Office : 1-2-8 Higashi Shinbashi, Minato-Ku, Tokyo  
Hiroshima Business Office : 2-21-41 Dejima, Minami-Ku, Hiroshima  
Osaka Branch Office : 1-6-17 Awaji, Higashi Yodogawa-Ku, Osaka

Homepage : <http://www.onishi-e.co.jp>

〒734-0013	TEL (082) 251-9111	IPTEL (050) 3365-4719	FAX (082) 254-0404
〒105-0021	TEL (03) 3572-7941	IPTEL (050) 3365-4725	FAX (03) 3572-7943
〒734-0013	TEL (082) 255-6626	IPTEL (050) 3365-4720	FAX (082) 254-0404
〒533-0032	TEL (06) 6160-3667	IPTEL (050) 3350-0713	FAX (06) 6160-3668

Authorized Dealer